
SPARE PARTS LIST

MINI HD 1240



R 1.0

Starting from

01/08/2023

KlinMak Srl

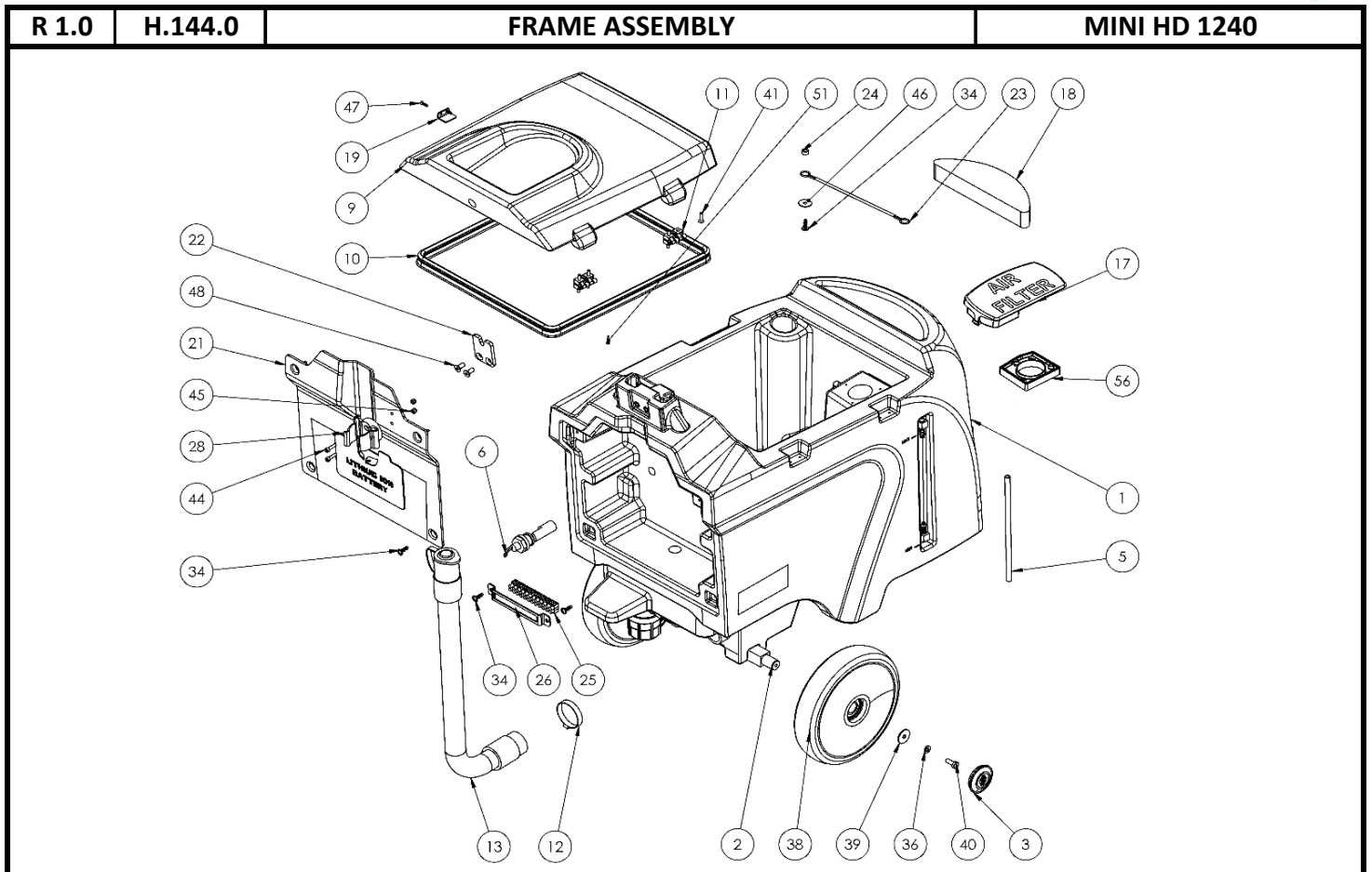
Via Della Levata , 1 - 20084 - Lacchiarella (MI) - Italy

Tel. +39 02 892929.1 Fax +39 02 892929.0

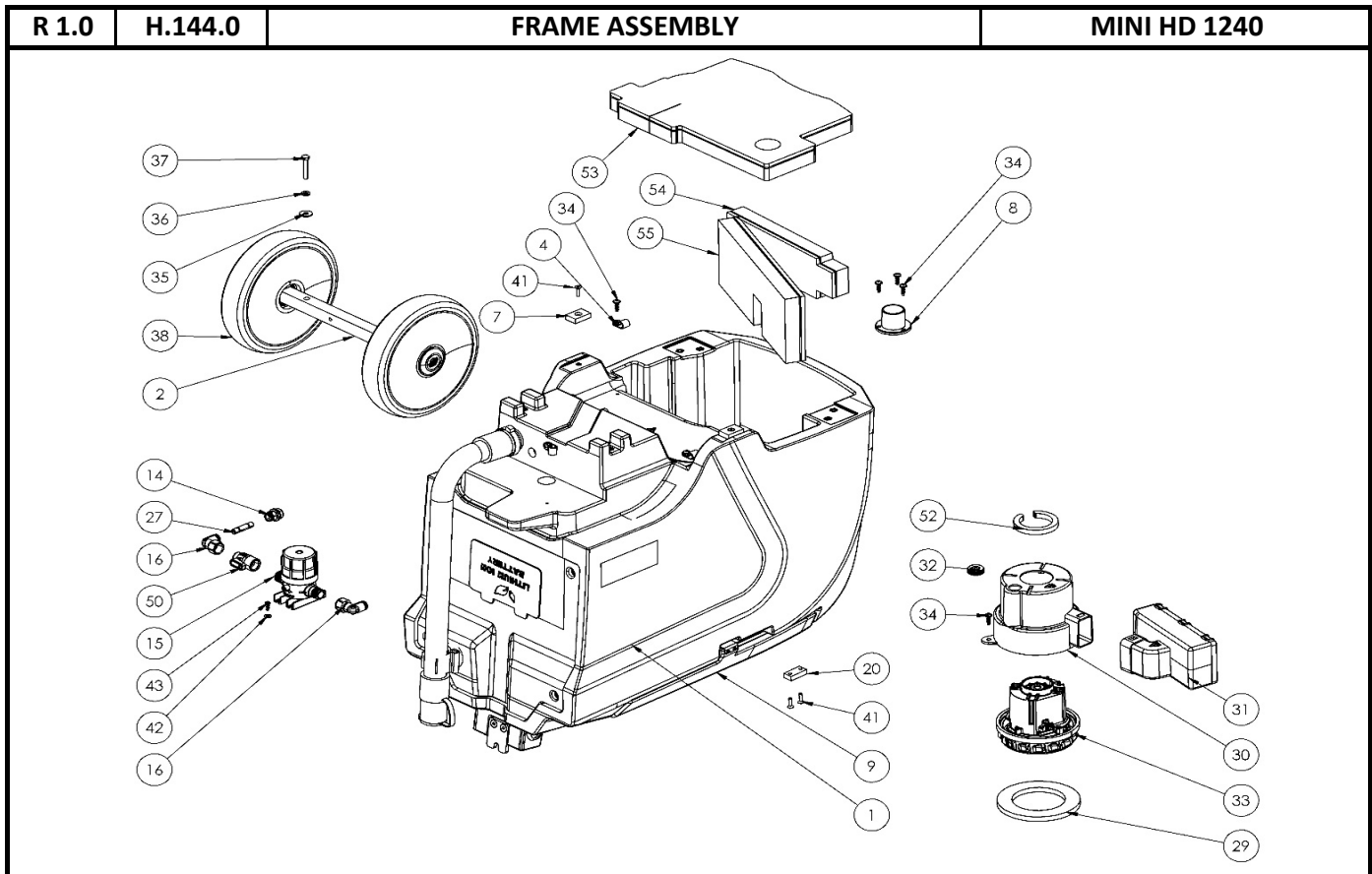
info@klinmak.com

www.klinmak.com



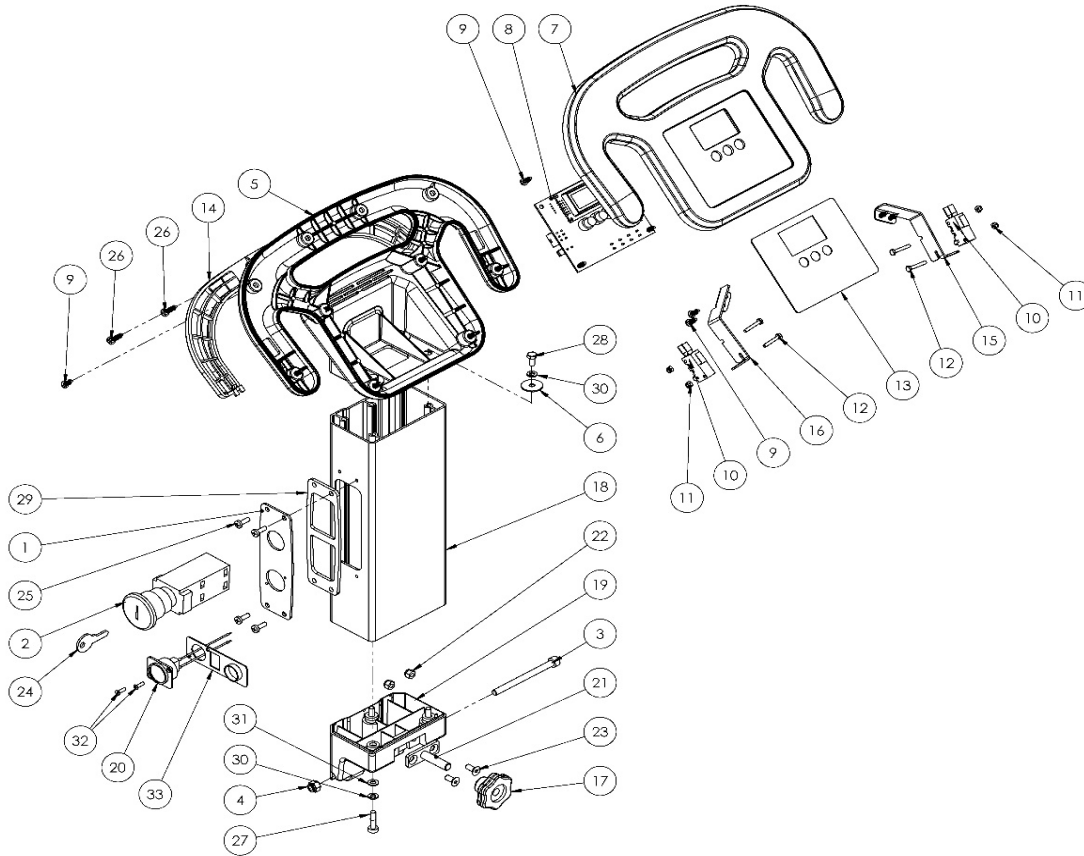


ID	Part number	Description	Q.ty	List price each.	Net price each
1	R.078.0	Water tank - 12 litres - Emerald green colour	1	490,00	490,00
2	L.122.0	Wheel axis	1	38,00	38,00
3	I.003.0	Hub cover cap	2	1,90	1,90
4	X.028.0	Plastic clamp inch 3/8 D.13.2.	4	1,10	1,10
5	W.137.0	Water level hose	1	3,00	3,00
6	X.120.0	Water level sensor	1	14,00	14,00
7	Y.065.0	Magnet 30x20	2	16,00	16,00
8	I.013.0	Squegee hose connector	1	3,00	3,00
9	R.062.1	Tank cover Trion2040 Black	1	80,00	80,00
10	G.026.0	Cap gasket - 20 liters	1	22,00	22,00
11	Y.062.0	Hinge C6-220	2	7,50	7,50
12	Y.111.0	Metal clamp 25-40	1	3,50	3,50
13	W.138.0	Discharging hose	1	47,00	47,00
14	W.139.0	Straight elbow 3/8" male - DN8	1	5,50	5,50
15	W.141.0	Water filter w/out valve	1	28,00	28,00
16	W.140.0	Elbow "L" shape - 3/8" female - DN8	2	11,00	11,00
17	H.132.0	Air suction filter assembly	1	14,00	14,00
18	G.065.0	Filling water filter	1	5,50	5,50
19	C.270.0	Metal plate for cover magnet	1	9,50	9,50
20	Y.106.0	Magnet 30x15x8	1	17,00	17,00
21	I.026.0	Battery cover	1	13,00	13,00
22	C.274.0	Handle locking plate	1	11,00	11,00
23	Y.030.0	Retention metal cable	1	17,00	17,00
24	L.027.0	Spacer 6.2x10x5	2	3,00	3,00
25	X.105.0	Terminal block	1	7,00	7,00
26	C.275.0	Terminal block holder	1	18,00	18,00
27	W.142.0	Connection d.8	1	3,00	3,00



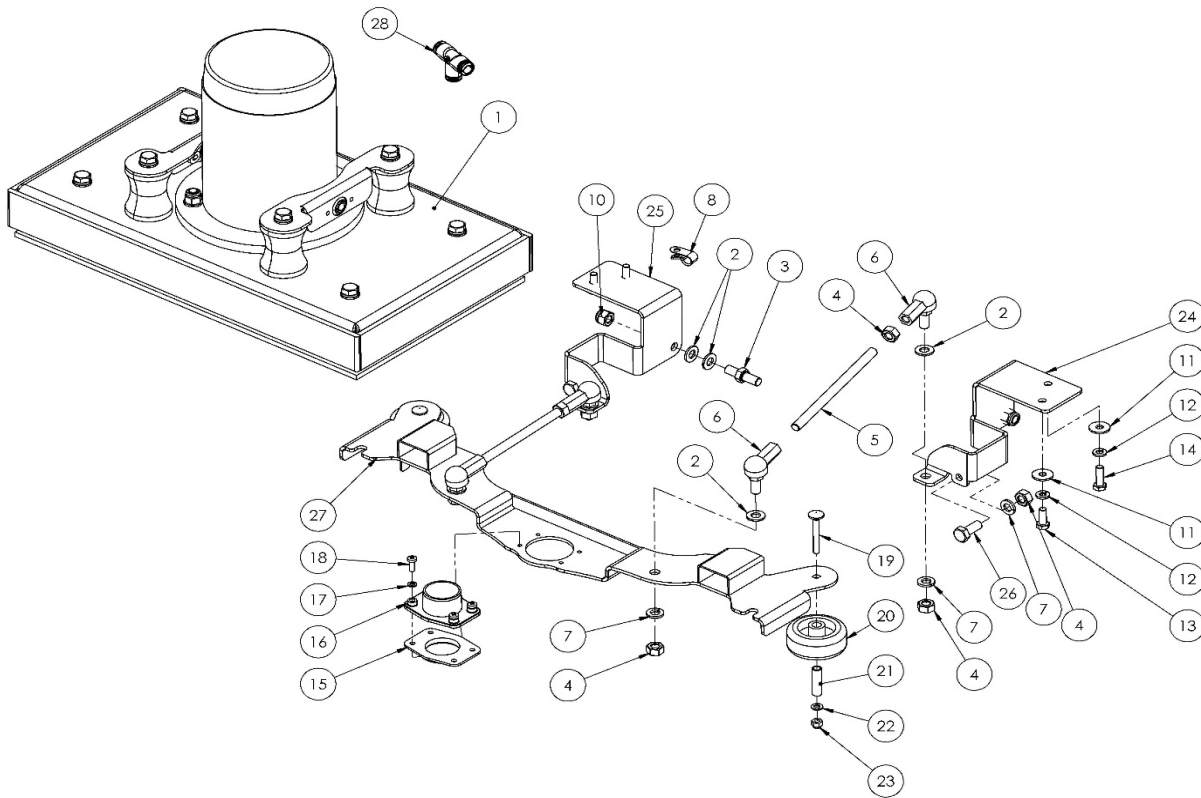
ID	Part number	Description	Q.ty	List price each.	Net price each
28	W.151.0	Hose clamp 34-38mm	1	11,00	11,00
29	G.066.0	Vacuum motor gasket	1	7,50	7,50
30	I.027.0	Turbine cover	1	6,50	6,50
31	H.149.0	HEPA filter kit	1	56,00	56,00
32	G.068.0	Rubber cable tie	1	8,00	8,00
33	M.016.0	Vacuum motor 48Vdc 200W	1	131,00	131,00
34	V.071.0	Screw for plastic TC 5x16 - A2	18	1,80	1,80
35	V.040.0	Washer 6x18	2	0,80	0,80
36	V.006.0	Grower washer d.6	4	0,80	0,80
37	V.038.0	Screw, hexagon head, M6x35	2	0,90	0,90
38	Y.105.0	Wheel w/bearings d.200x42	2	35,00	35,00
39	V.014.0	Washer 6x24	2	1,00	1,00
40	V.052.0	Screw, hexagon head, M6x16	2	0,80	0,80
41	V.077.0	Countersink screw M4x16	12	0,80	0,80
42	V.024.0	Washer d.5	1	0,80	0,80
43	V.068.0	Screw for plastic TC 4x12 - A2	1	1,80	1,80
44	V.088.0	Allen screw M4x16	2	0,80	0,80
45	V.093.0	Selflocking nut M4	2	0,80	0,80
46	V.019.0	Washer 5x20	2	0,80	0,80
47	V.074.0	Screw for plastic TS 3x12 - A2	2	0,90	0,90
48	V.034.0	Countersunk screw M6x14	2	0,80	0,80
49	W.153.0	Water hose	1	6,00	6,00
50	W.143.0	Water tap 3/8" male/female	1	14,00	14,00
51	V.050.0	Self-tapping screw M2,2x13	1	0,80	0,80
52	G.081.0	Rubber spacer	1	6,00	6,00
53	G.083.0	Sound absorbing, cover	1	31,00	31,00
54	G.082.0	Sound absorbing, blower area	1	14,00	14,00
55	G.083.0	Sound absorbing, cover	1	31,00	31,00
56	I.032.0	Air filter spacer	1	10,00	10,00

R 1.0	H.145.0	HANDLE ASSEMBLY	MINI HD 1240
--------------	----------------	------------------------	---------------------



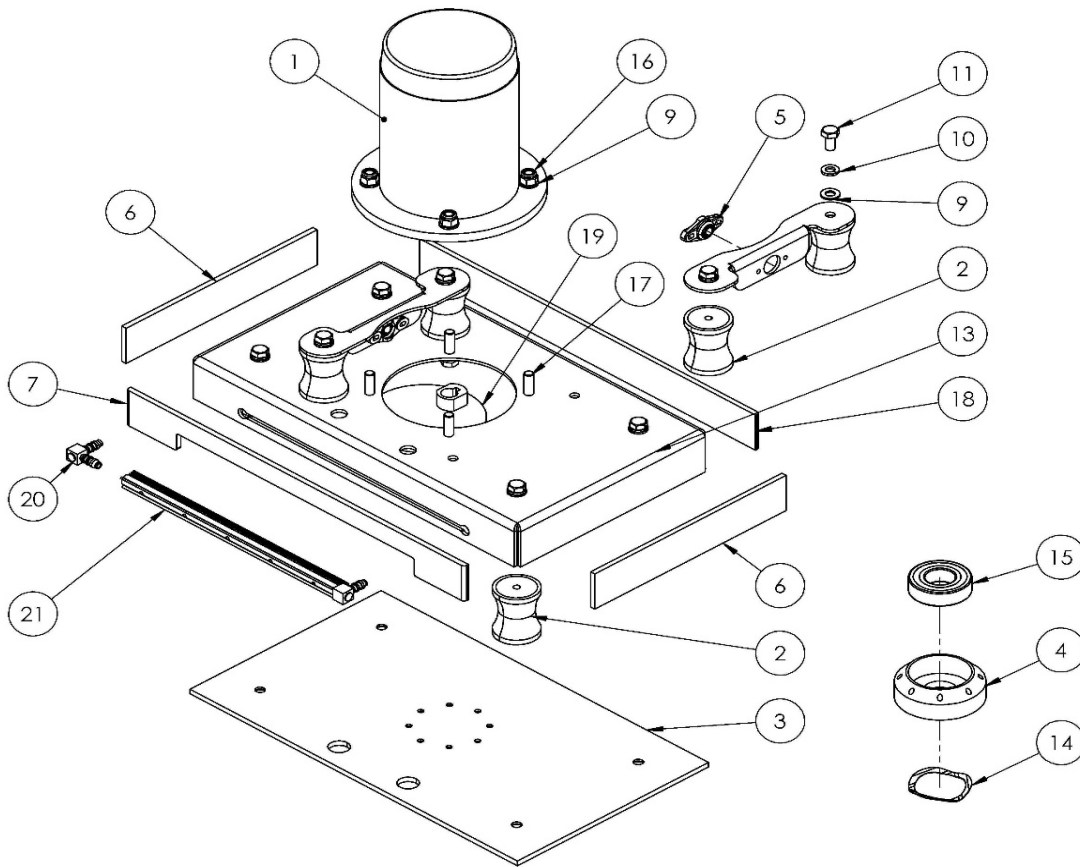
ID	Part number	Description	Q.ty	List price each.	Net price each
1	C.271.0	Control plate	1	12,00	12,00
2	X.099.0	Emergency pushbutton + key 2NC + 2NO	1	27,00	27,00
3	V.104.0	Allen screw M6x75	1	2,50	2,50
4	V.112.0	Self locking nut M6	1	0,80	0,80
5	I.023.0	Handle, botton part, for flexible lever	1	22,00	22,00
6	V.019.0	Washer 5x20	4	0,80	0,80
7	I.024.0	Handle, upper part, w/out rubber insert, 3 holes	1	19,00	19,00
8	X.104.0	MINI & TRION mainboard	1	405,00	405,00
9	V.068.0	Screw for plastic TC 4x12 - A2	16	1,80	1,80
10	X.004.0	Microswitch 16A 250V Fast 6,3	2	4,00	4,00
11	V.026.0	Self locking nut, M3	4	0,80	0,80
12	V.027.0	Screw, hexagon head, M3x20	4	0,80	0,80
13	A.142.0	Operator panel adhesive TRION	1	45,00	45,00
14	I.022.0	Flexible microswitch pressing lever	1	9,50	9,50
15	C.272.0	Microswitch holder - right side	1	17,00	17,00
16	C.273.0	Microswitch holder - left side	1	17,00	17,00
17	Y.024.0	Knob M8	1	4,50	4,50
18	L.123.0	Extruded handle with metal insert, side opening and paint	1	39,00	39,00
19	I.029.0	Handle connection made in PA6+GF30 black colour	1	8,00	8,00
20	X.109.0	Charging plug	1	30,00	30,00
21	C.276.0	Handle plate with screw	1	21,00	21,00
22	V.022.0	Selflocking nut M5	2	0,80	0,80
23	V.046.0	Countersunk screw M5x12	2	0,80	0,80
24	X.079.0	Couple of keys for Mushroom pushbutton	1	4,00	4,00
25	V.098.0	Philips pan head screws M4x12 A2	4	0,80	0,80
26	V.070.0	Screw for plastic TC 4x20 - A2	2	1,80	1,80
27	V.092.0	Allen screw M5x20	3	0,80	0,80

R 1.0	H.159.0	VIBRATING ASSEMBLY PLATE 39x23	MINI HD 1240
-------	---------	--------------------------------	--------------

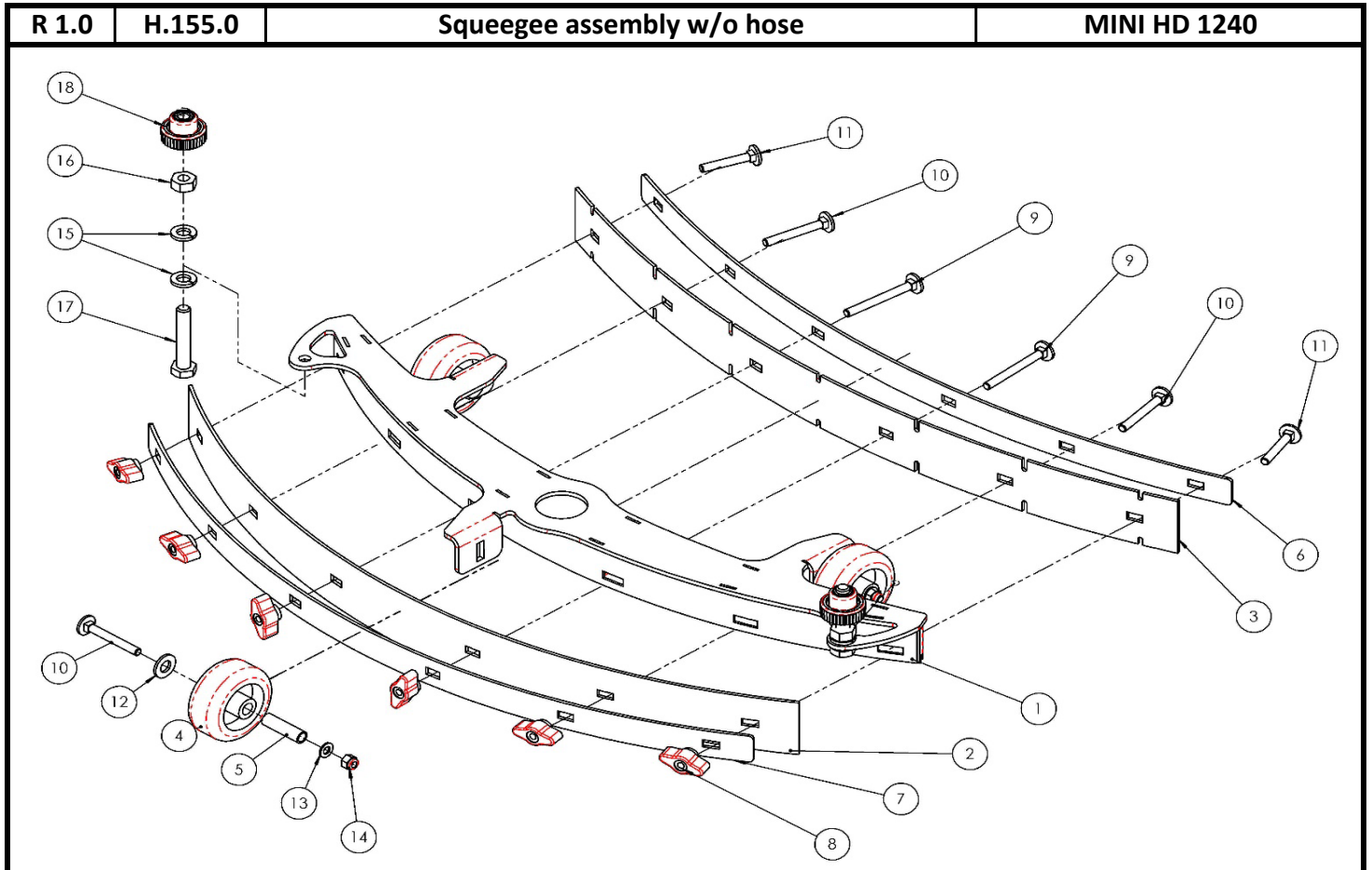


ID	Part number	Description	Q.ty	List price each.	Net price each
1	H.158.0	VIBRATING ASSEMBLY PLATE 39x23	1	-	0,00
2	V.013.0	Washer d.8	8	0,80	0,80
3	L.128.0	Vibrating plate shaft holder	2	9,00	9,00
4	V.067.0	Nut M8 A2	8	0,80	0,80
5	L.057.0	Squeegee holder shaft	2	9,00	9,00
6	Y.064.0	Articulated head M8	4	15,00	15,00
7	V.011.0	Grower washer d.8	6	0,80	0,80
8	X.110.0	Plastic clamp inch 3/8 D.13.2.	1	1,10	1,10
9	V.016.0	Washer d.6	1	0,80	0,80
10	V.002.0	Self locking nut M8	2	0,90	0,90
11	V.040.0	Washer 6x18	3	0,80	0,80
12	V.006.0	Grower washer d.6	4	0,80	0,80
13	V.052.0	Screw, hexagon head, M6x16	2	0,80	0,80
14	V.015.0	Screw, hexagon head, M6x20	2	0,90	0,90
15	G.079.0	Squeegee gasket	1	11,00	11,00
16	I.031.0	Squeegee hose connection	1	7,50	7,50
17	V.005.0	Spring washer d.4	4	0,80	0,80
18	V.098.0	Philips pan head screws M4x12 A2	4	0,80	0,80
19	V.064.0	Ground anchor screw M5x40	2	1,80	1,80
20	Y.023.0	Wheel d.50x24	2	5,00	5,00
21	L.062.0	Spacer 8x6x28.5	2	6,00	6,00
22	V.024.0	Washer d.5	2	0,80	0,80
23	V.022.0	Selflocking nut M5	2	0,80	0,80
24	C.305.0	Connection plate for vibrating head, right side	1	32,00	32,00
25	C.304.0	Connection plate for vibrating head, left side	1	32,00	32,00
26	V.012.0	Screw, hexagon head, M8x20	2	1,00	1,00
27	C.292.0	400mm squeegee holder with built-in hose	1	95,00	95,00
28	W.127.0	"T" shape elbow, DN8	1	10,00	10,00

R 1.0	H.158.0	VIBRATING ASSEMBLY PLATE 39x23	MINI HD 1240
-------	---------	--------------------------------	--------------



ID	Part number	Description	Q.ty	List price each.	Net price each
1	M.018.0	Motor 3000RPM 250W 48V	1	360,00	360,00
2	G.089.0	Shock absorber 40x50	8	27,00	27,00
3	C.307.0	Vibrating plate 39x23cm	1	102,00	102,00
4	L.131.0	Ball bearing holder	1	67,00	67,00
5	Y.115.0	Oscillating ball bearing	2	12,00	12,00
6	L.130.0	Side bumper	2	29,00	29,00
7	L.134.0	Rear bumper	1	29,00	29,00
8	C.308.0	Vibrating plate holder	2	41,00	41,00
9	V.013.0	Washer d.8	13	0,80	0,80
10	V.011.0	Grower washer d.8	8	0,80	0,80
11	V.037.0	Screw, hexagon head, M8x16	8	1,10	1,10
12	Y.038.0	Spline 5x5x20	1	1,60	1,60
13	C.306.0	Motor holder	1	164,00	164,00
14	Y.122.0	Elastic washer shaped d.52	1	5,00	5,00
15	Y.123.0	Ball bearing 6205 2RS	1	39,00	39,00
16	V.002.0	Self locking nut M8	4	0,90	0,90
17	V.003.0	Screw, hexagon head, M8x30	4	1,40	1,40
18	L.129.0	Front bumper	1	39,00	39,00
19	C.315.0	Eccentric camme	1	54,00	54,00
20	W.006.0	Elbow 90° plastic dn.6	2	3,00	3,00
21	G.091.0	Water distributor	1	19,00	19,00



ID	Part number	Description	Q.ty	List price each.	Net price each
1	C.293.0	400mm squeegee without hose	1	150,00	150,00
2	G.020.0	Rear rubber blade for Mini 1240 - Trion2040	1	16,00	16,00
2	G.032.0	Front rubber blade, oil resistant, for Mini 1240 - Trion2040	1	23,00	23,00
3	G.019.0	Front rubber blade for Mini 1240 - Trion2040	1	15,00	15,00
3	G.033.0	Rear rubber blade, oil resistant, for Mini 1240 - Trion2040	1	25,00	25,00
4	Y.023.0	Wheel d.50x24	3	5,00	5,00
5	L.062.0	Spacer 8x6x28.5	3	6,00	6,00
6	C.090.0	Squeegee front holder - 20 liters	1	21,00	21,00
7	C.091.0	Squeegee rear holder - 20 liters	1	22,00	22,00
8	Y.055.0	Wingnut M5	6	4,00	4,00
9	V.063.0	Ground anchor screw M5x50	2	1,80	1,80
10	V.064.0	Ground anchor screw M5x40	5	1,80	1,80
11	V.065.0	Ground anchor screw M5x30	2	1,80	1,80
12	V.013.0	Washer d.8	3	0,80	0,80
13	V.024.0	Washer d.5	3	0,80	0,80
14	V.022.0	Selflocking nut M5	3	0,80	0,80
15	V.011.0	Grower washer d.8	4	0,80	0,80
16	V.067.0	Nut M8 A2	2	0,80	0,80
17	V.115.0	Hexagon screw M8x45	2	1,50	1,50
18	Y.124.0	Knob M8	2	4,50	4,50
	H.155.0	Squeegee assembly w/o hose oil-resistant blades excluded	1	231,00	231,00